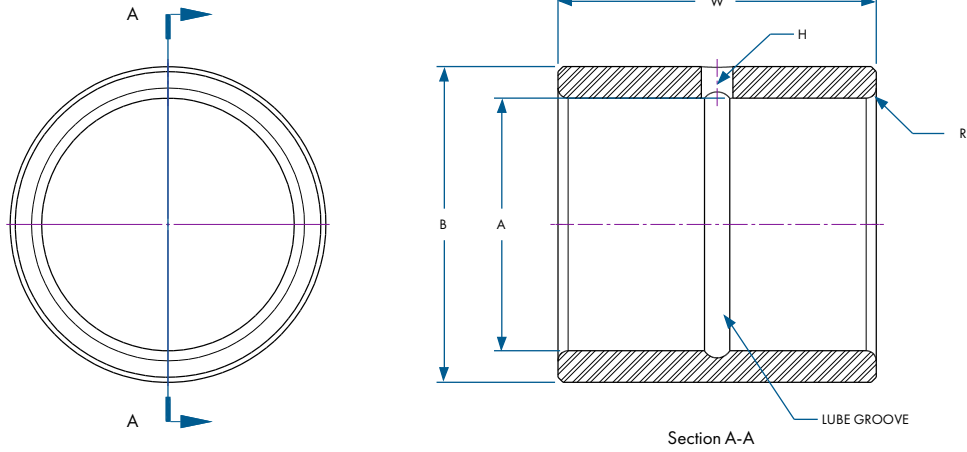
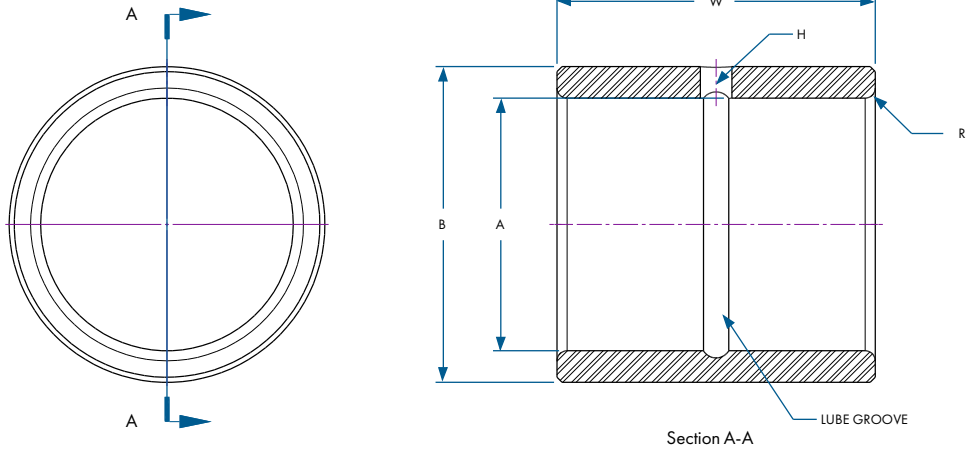


# MI Series



INNER RING NUMBER	DIMENSIONS (in.)						
	(A) BORE DIA.		(B) INNER O.D.		(W) WIDTH +.000; -.005	(H) HOLE DIA.	(R) MAX. FILLET FOR SHAFT
	NOM.	TOL. +.0000	NOM.	TOL. +.0000			
MI-6	0.3750	-0.0004	0.6245	-0.0004	1.010	3/32	0.025
MI-6-N	0.3750				0.760		
MI-7-N	0.4375		0.760				
MI-8	0.5000		0.7493		1.010		
MI-8-N	0.5000				0.760		
MI-9-N	0.5625		0.760				
MI-10	0.6250		0.8743		1.010		
MI-10-N	0.6250				0.760		
MI-11-N	0.6875		0.760				
MI-12	0.7500		0.9993		1.010		
MI-12-N	0.7500	0.760					
MI-13	0.8125	-0.0005	1.1241	1.010	1/8	0.040	
MI-13-N	0.8125			0.760			
MI-14	0.8750		1.260				
MI-14-N	0.8750		1.010				
MI-15	0.9375		1.2491	1.260			
MI-15-N	0.9375			1.010			
MI-16	1.0000		1.3741	1.260			
MI-16-N	1.0000			1.010			
MI-17	1.0625		1.260				
MI-18	1.1250		1.4990	1.260			
MI-18-N	1.1250	1.010					
MI-19	1.1875	1.260					
MI-20	1.2500	-0.0006	1.6240	1.260	1/8	0.060	
MI-20-N	1.2500			1.010			
MI-21	1.3125		1.260				
MI-21-N	1.3125		1.010				
MI-22	1.3750		1.7490	1.260			
MI-23	1.4375			1.260			
MI-24	1.5000		1.260				
MI-24-N	1.5000		1.010				
MI-25	1.5625		1.9989	1.260			
MI-26	1.6250			1.260			
MI-26-N	1.6250	1.010					
MI-27	1.6875	1.260					
MI-28	1.7500	-0.0007	2.2489	1.760	3/16	0.080	
MI-28-N	1.7500			1.510			
MI-30	1.8750		1.760				
MI-31	1.9375		1.760				
MI-32	2.0000		2.4989	1.760			
MI-32-N	2.0000			1.510			

# MI Series



INNER RING NUMBER	DIMENSIONS (in.)						
	(A) BORE DIA.		(B) INNER O.D.		(W) WIDTH +.000; -.005	(H) HOLE DIA.	(R) MAX. FILLET FOR SHAFT
	NOM.	TOL. +.0000	NOM.	TOL. +.0000			
MI-34	2.1250	-0.0006	2.4989	-0.0007	1.760	3/16	0.080
MI-35	2.1875						
MI-36	2.2500						
MI-36-N	2.2500						
MI-38	2.3750						
MI-39	2.4375						
MI-40	2.5000						
MI-40-N	2.5000						
MI-42	2.6250						
MI-44	2.7500						
MI-46	2.8750	-0.0009	3.2487	-0.0009	1.760	1/4	0.100
MI-47	2.9375						
MI-48	3.0000						
MI-48-N	3.0000						
MI-50	3.1250						
MI-52	3.2500						
MI-54	3.3750						
MI-56	3.5000						
MI-58	3.6250						
MI-60	3.7500						
MI-62	3.8750	-0.0008	4.2485	-0.0010	2.010	5/16	0.120
MI-64	4.0000						
MI-68	4.2500						
MI-72	4.5000						
MI-72-N	4.5000						
MI-80	5.0000						
MI-80-N	5.0000						
MI-80-N	5.0000						
MI-80-N	5.0000						
MI-80-N	5.0000						